

## Product Data Sheet

### DJT Series Extension Modules for DiamondJet Guns Spray

**The DJT series extension modules for Metco DiamondJet™ HVOF spray guns permit coating of interior surfaces and bores. These modules are designed for trouble-free, continuous heavy-duty spraying.**

#### 1 General Description

The extension module mounts directly onto the gun body. The extension modules use the same air caps, nozzles and siphon plugs used by DiamondJet guns. The components, therefore, are not provided with the extension module.

All DJT extension modules are factory configured for spray at a 90° angle. 45° and 60° heads are available as a purchasable option. These spray heads are easily interchanged. Attachment of the module to the DiamondJet gun is fast and simple, with no special tools required. The 660 mm (2 ft) length allows easy access to very deep internal surfaces. When using a DiamondJet gun with a DJT series extension module, machine mounting is recommended for best coating results.

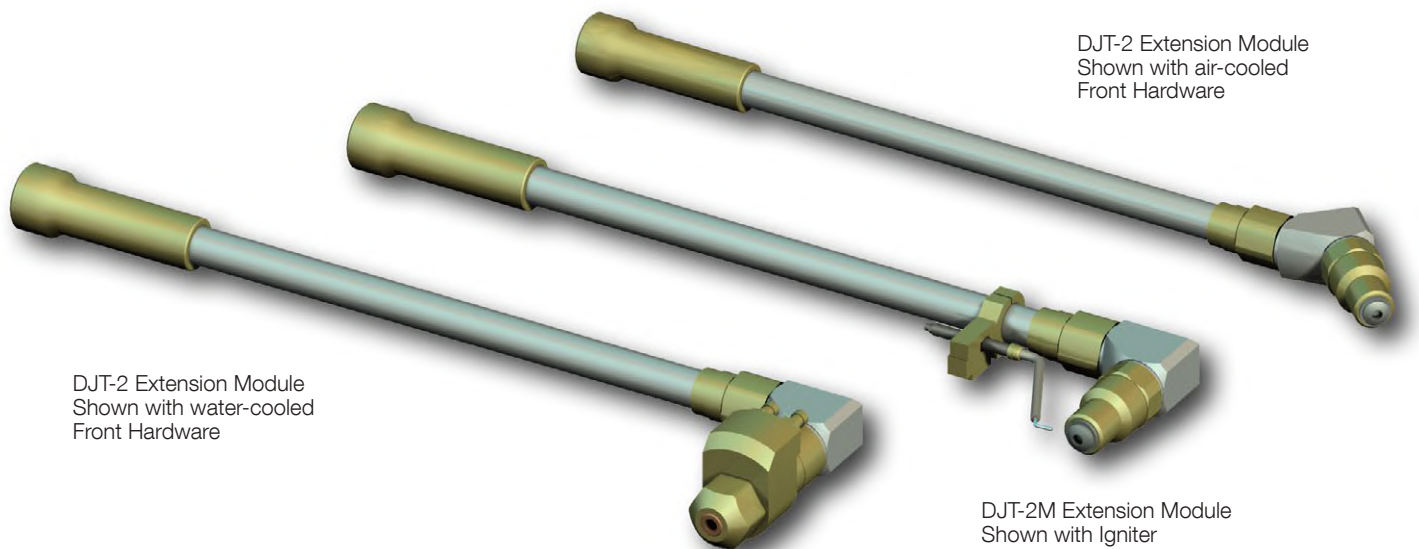
#### 2 Features and Benefits

- Economically extends the capabilities of existing DiamondJet guns
- Applies high quality coatings using a wide variety of available HVOF spray materials
- Allows access to deep, narrow internal geometries
- Rugged design for extended serviceability
- Simple to use and easily attaches to existing gun
- Use of same gun hardware as DiamondJet guns simplifies maintenance

#### 3 Accessories and Options

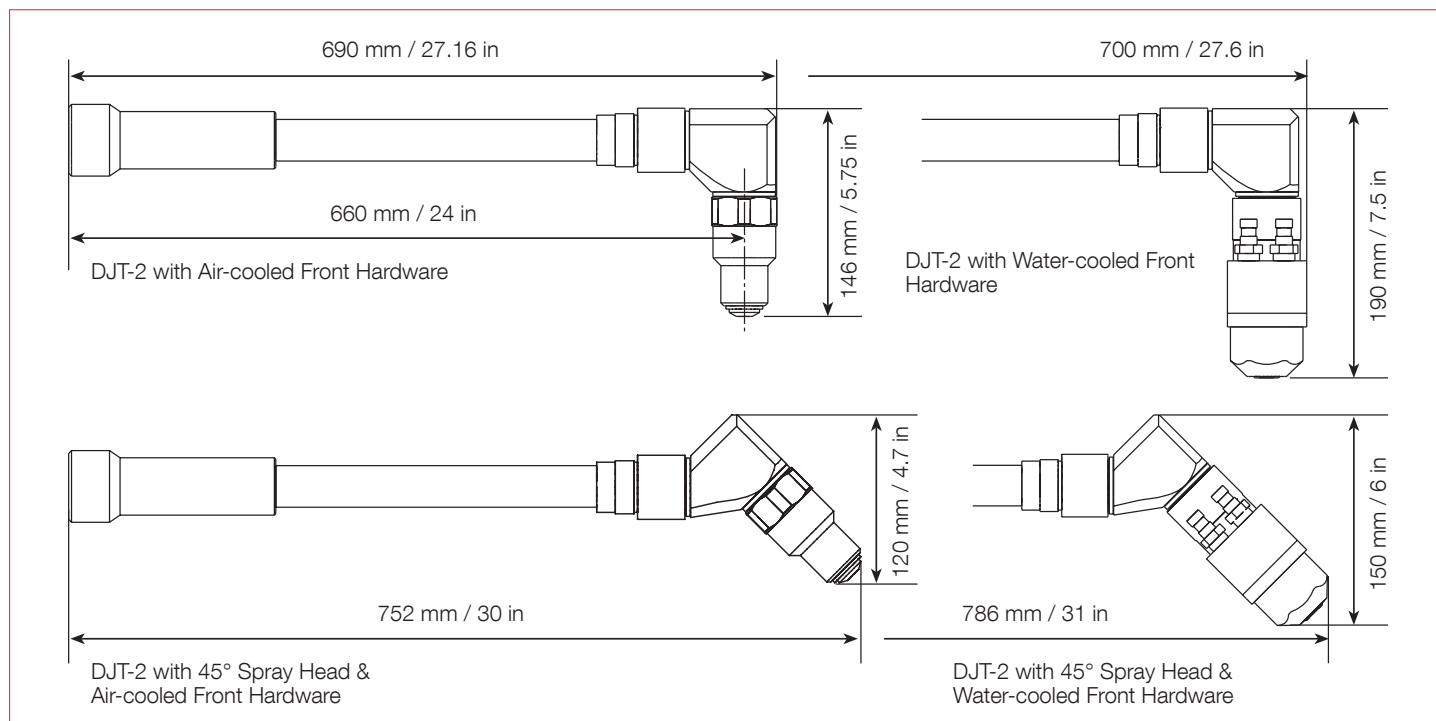
Oerlikon Metco offers a variety of options that allow configuration of the DiamondJet family of guns for use in a wide number of coating applications and to suit specific production requirements.

For a complete list of optional parts and spare parts, please refer to the parts lists section of the reference manual.



## 4 Technical Data

### 4.1 Dimensions



### 4.2 Specifications

#### Model DJT-2

Controller compatibility

Machine-mount MultiCoat™ HVOF, UniCoat™ GF, UniCoat™ GLF

Hand-held DJF with DJFEW

#### Model DJT-2M

Controller compatibility

Machine-mount DJC (includes igniter and igniter bracket)

Hand-held not applicable

#### Minimum Internal Bore Size (all models)

Water-cooled gun configuration

Standard 90° spray head 400 mm 16 in

Optional 45° spray head 280 mm 11 in

Air-cooled gun configuration

Standard 90° spray head 230 mm 9 in

Optional 45° spray head 180 mm 7 in

Information is subject to change without prior notice.