

Product Data Sheet

Angled Arc Nozzle Extensions for the LD/U2, LD/U3 and Schub 5 Electric Arc Wire Spray Guns

These angled extensions are cost effective accessories designed to increase the functionality of Oerlikon Metco electric arc wire spray guns, by permitting coating of interior bore diameters and surfaces.

1 General Description

Angled arc extensions spray at an angle of 70° and are capable of spraying into small bores and diameters as small as 80 mm (3.15 in). They may also be used to help coat areas that are not readily accessible.

The extensions are compatible for use with the following Metco electric arc wire spray guns:

- LD/U2
- LD/U2E (electric motor)
- LD/U3
- Schub 5

The extensions are of rugged and sturdy construction. They are easily and quickly mounted and removed using the adapter kit available for each spray gun (see Section 3). For best coating results and stability while spraying, guns with extensions should be machine-mounted.

1.1 Customer-Specified Configuration Options

The extension length, wire diameter and type of wire to be sprayed is specified by the customer from the options shown for factory-configuration by Oerlikon Metco.

Available Lengths:

- 300 mm (11.8 in)
- 500 mm (19.7 in)
- 800 mm (31.5 in)
- 1000 mm (39.4 in)

Available Wire Diameters:

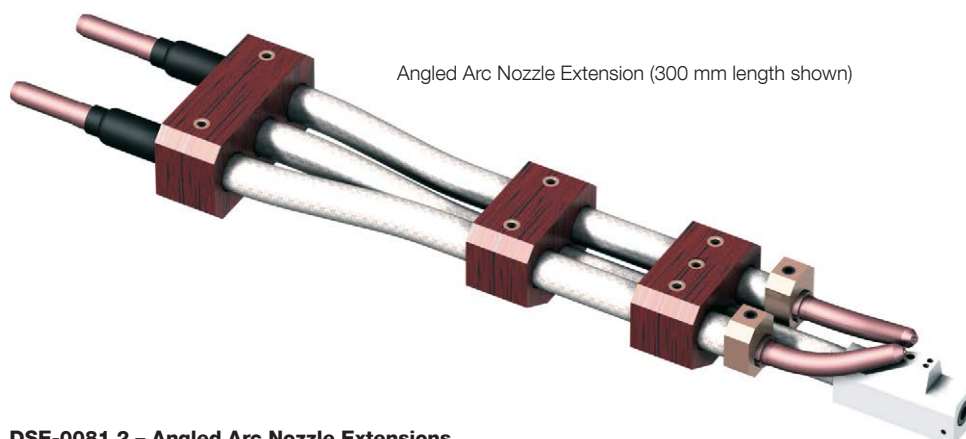
- 1.6 mm (14 gauge)
- 2.0 mm (0.079 in)
- 2.3 to 2.5 mm (11 gauge to 0.098 in)

Available Wire Types:

Al: Aluminum or Aluminum-Silicon wires
Standard: All other wires

2 Features and Benefits

- Produces coatings of superior quality compared to other arc wire extensions
- Bent contact nozzle design positions wire contact point away from the atomizer nozzle, thus preventing nozzle and coating contamination
- Axially adjustable atomizer nozzle and optional contact nozzle alignment tool for precision particle atomization
- Secondary air stream constricts and deflects the spray pattern
- Rugged design built for long service life with limited maintenance
- Simple operation and maintenance
- Versatile use with hard, soft or cored electric arc wires, even wires with low column strengths



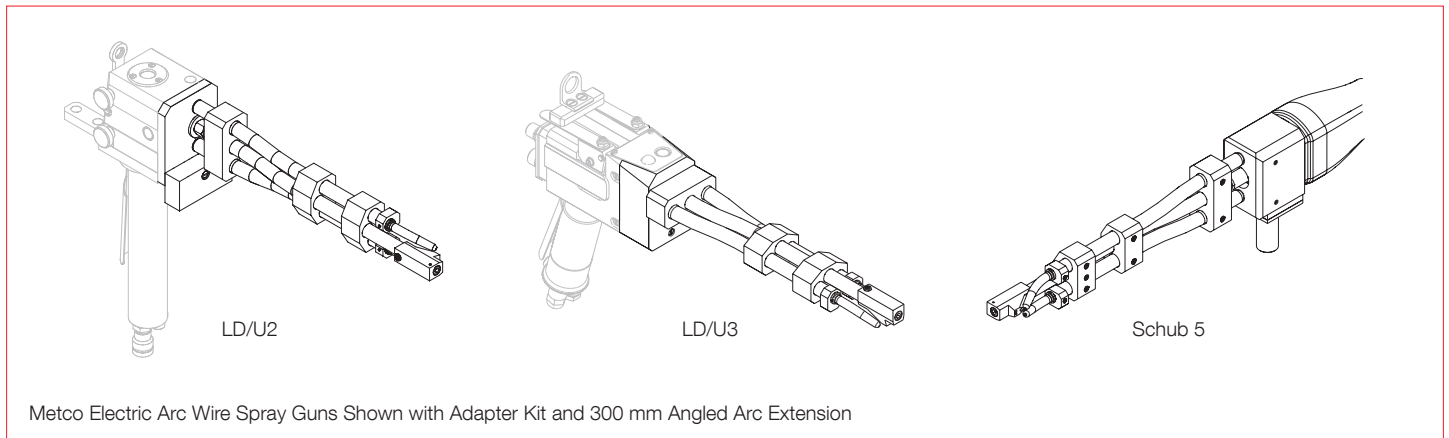
Angled Arc Nozzle Extension (300 mm length shown)

3 Accessories and Options

For a complete list of optional and spare parts, please refer to the parts lists section of the reference manual.

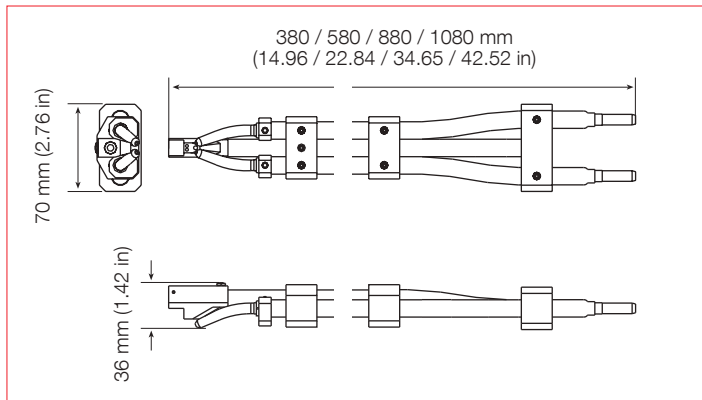
Adapter Kits: An adapter kit must be purchased to mount the angled arc extension to the customer's existing electric arc wire spray gun (see table).

Adapter Kit (does not include extension)	Wire Ø	Item No.	Comments
LD/U2 Conversion Kit	All	1053363	Conversion kit + extension converts a LD/U2 or LD/U2E gun by removal of standard gun hardware and replacement with kit hardware + extension
LD/U3 Conversion Kit	All	1053395	Conversion kit + extension converts a LD/U3 gun by removal of standard gun hardware and replacement with kit hardware + extension
Schub 5 Adapter Kit (With 1.5 m Hose Package)	1.6 mm	1066227	Adapter kit + extension replaces complete Schub 5 gun, including 1.5 m (4.9 ft) hose package
	2.0 to 2.5 mm	1066228	



4 Technical Data

4.1 Dimensions



4.2 Specifications

	300 mm	500 mm	800 mm	1000 mm
Weight (approx.)	0.9 kg (2 lb)	1.25 kg (2.75 lb)	1.5 kg (3.3 lb)	1.75 kg (3.85 lb)
Wire Diameter	1.6 mm / 2.0 mm / 2.3 to 2.5 mm (14 gauge / 0.079 in / 11 gauge to 0.98 in)			
Spray Angle	70° (to longitudinal axis)			
Minimum Sprayable Bore	80 mm (3.15 in)			
Gun Compatibility	LD/U2, LD/U2E, LD/U3, Schub 5			

Information is subject to change without prior notice.