

Product Data Sheet

Electric Arc Wire Extension Cart

The Electric Arc Wire Extension Cart is designed as an add-on solution for all existing ECO ARC™ 350 electric wire arc spray systems enabling the customer to extend the standard 10 m (32.8 ft) working range up to a maximum of 43 m (141.1 ft).

1 Description

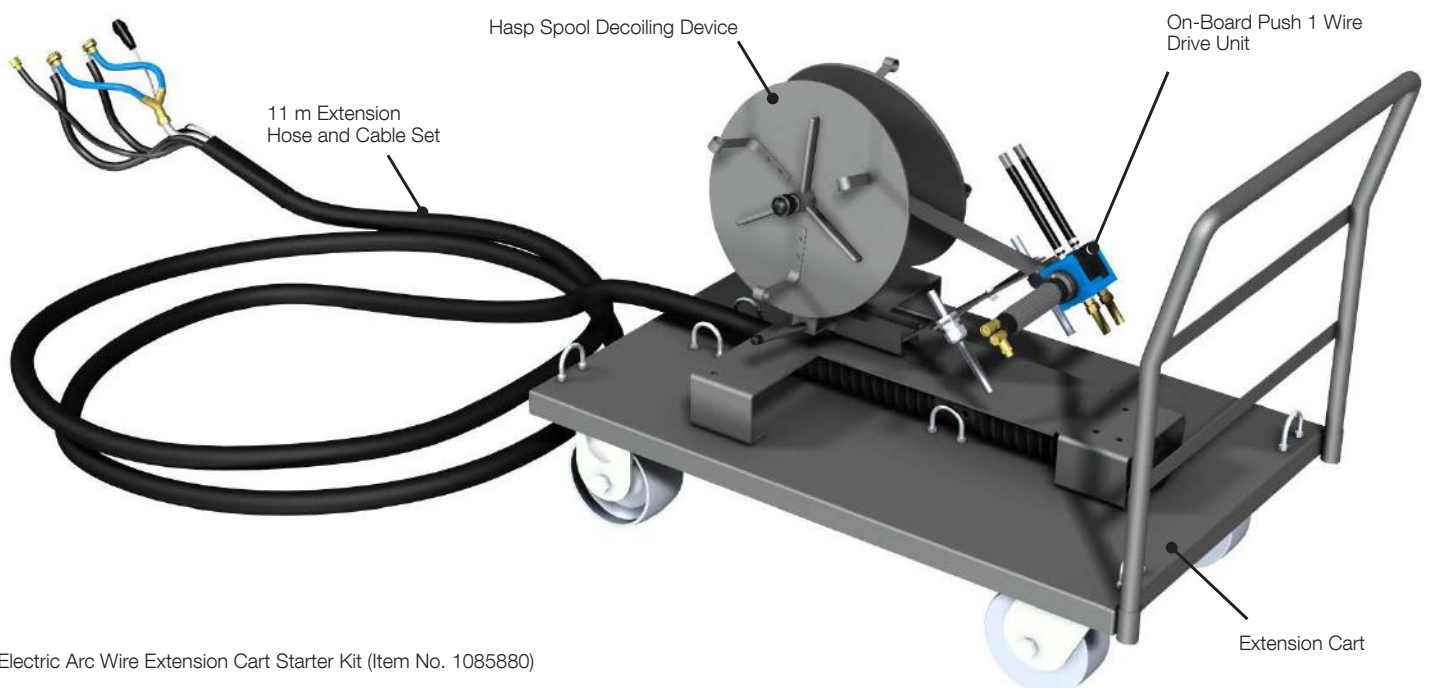
The Electric Arc Wire Extension Cart is especially designed for anti-corrosion applications where a large working envelope is required. It integrates with the customer's existing ECO ARC 350 Electric Arc Spray System, allowing the spray system power supply to remain at a stationary location while giving the operator freedom of movement over a large radius. The supplied Push 1 Wire Drive Unit and the wire spools remains near the operator, thereby simplifying material feed.

The Extension Cart starter kit comes with an 11 m (36.1 ft) extension hose and cable set. Up to two additional sets can

be installed for a total working radius of 43 m (141.1 ft), including the standard 10 m (32.8 ft) hose and cable package included with the ECO ARC 350 spray system. With this modular setup, the Extension Cart is easily adapted to the desired working radius.

The Electric Arc Wire Extension Cart comes equipped with a Push 1 Wire Drive Unit. The push action of the Push 1, combined with the pull action of the air motor in the LD/U3 spray gun included with the ECO ARC 350 system ensures reliable feed of the wire feedstock, even when using wires having low column strength.

The unit is shipped standard with a decoiling device for Hasp-style spools. Optional Dorn-style spool adapters and spool covers are available, as well as adapters for wire basket reels.

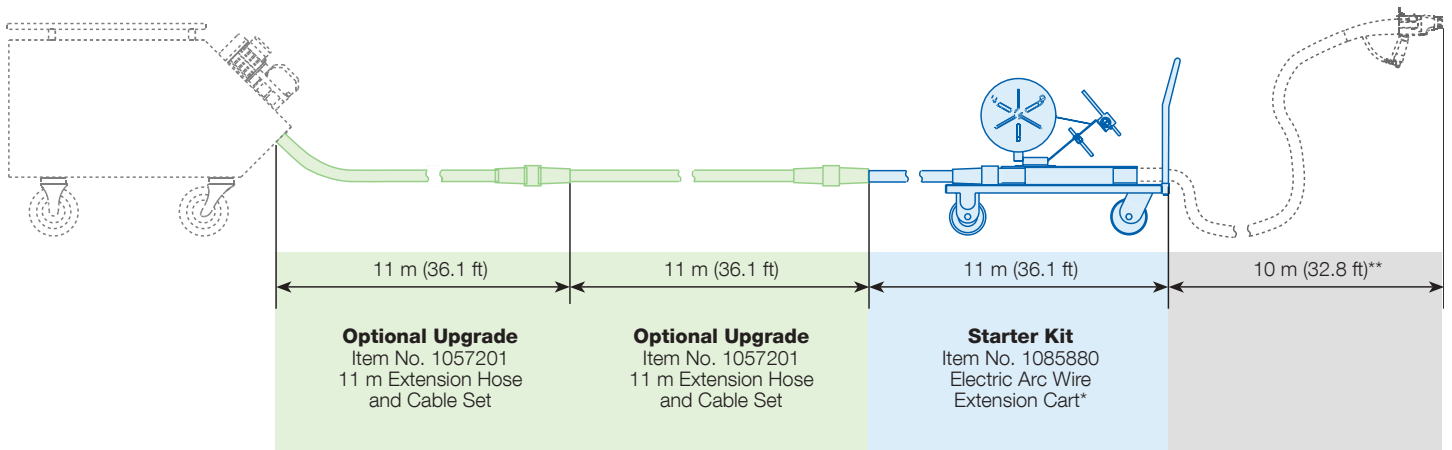


Electric Arc Wire Extension Cart Starter Kit (Item No. 1085880)

2 Benefits

- Allows the operator to work within a large working radius without the need to move the power supply
- Operates in areas where SELV regulations must be observed
- Modular, expandable design that seamlessly integrates with an existing ECO ARC 350 spray unit
- Easily and quickly transport the wire and wire feed unit throughout the working radius
- Wire feedstock travels a maximum of 10 m (32.8 ft), thereby minimizing wire feed issues
- “Push-Pull” operation, ensuring smooth, reliable wire feeding, even for low column strength wires
- Fix-mounted Push 1 Wire Feed Unit allows comfortable positioning of the wires for spraying
- Lifting lugs allow easy hoisting of the Extension Cart onto scaffolding or transport vehicles (remove spools, handle and loose items prior to hoisting to avoid a potential drop hazard)
- Proven technology, packed into a rugged, compact mobile cart with long service life
- Simple to use and maintain

3 Configurations



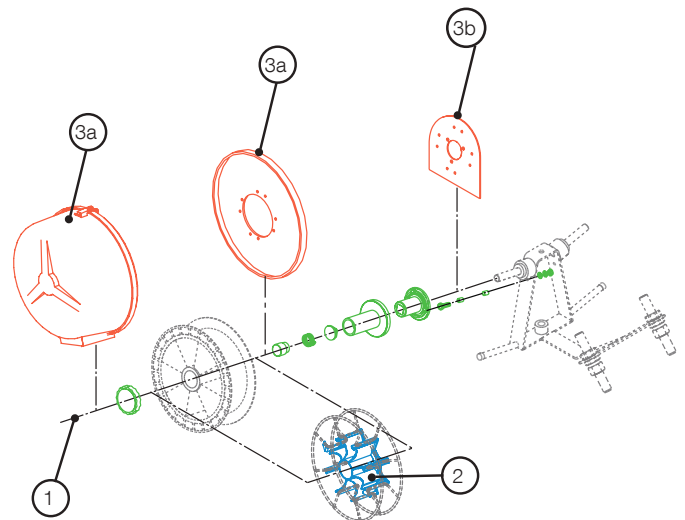
*Includes Cart, 11 m Extension Hose and Cable Set, Push 1 Wire Feed Unit

** Supplied with ECO ARC 350 Electric Arc Wire Spray System

3.1 Decoiler Options

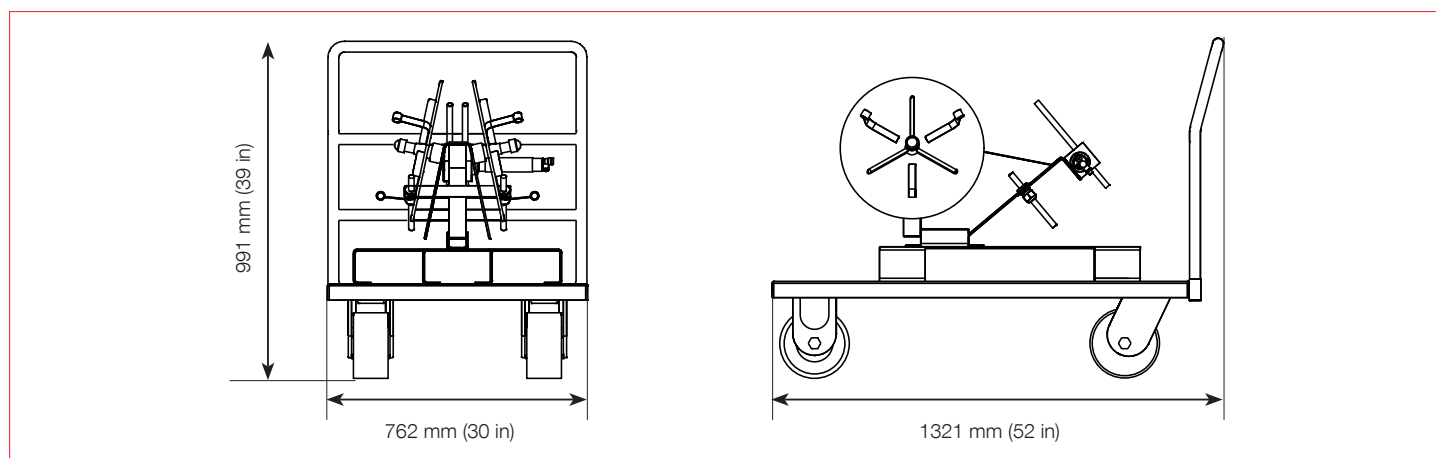
Adapters are available to convert the standard Hasp-style decoiling unit for use with Dorn-style spools or wire basket reels. For each item in the table below, a quantity of 2 are required per system.

Balloon No.	Description	Item No.
Dorn Spool Conversion Kit		
1	Dorn Spool Adapter	1066781
Wire Basket Conversion Kit		
1	Dorn Spool Adapter	1066781
2	Wire Basket Reel Adapter	1052105
Dorn Spool Covers		
3a	Cover Assembly	1071511
3b	Cover Mounting Plate	1066780



4 Technical Data

4.1 Dimensions



4.2 Specifications

Cart			
Weight	approx.	50 kg	110 lb
Wire Drive Unit Push 1			
Speed control type		stepless	
Wire feed		2 rolls per wire	
Air requirements (supplied and controlled by ECO ARC 350)			
Air Motor – Push 1		350 NLPM @ 4 bar	799 SCFH @ 58 psi
Hose and Cable Set Lengths			
LD/U3 gun hose package	max.	10 m	32.8 ft
Extension hose packages	ea*	11 m	36.1 ft

* 1 package shipped with the starter kit, maximum of 2 additional packages as an optional purchase

Information is subject to change without prior notice.